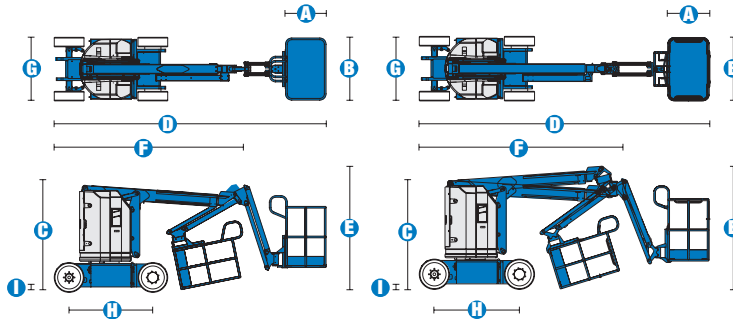


SELF-PROPELLED ARTICULATING BOOMS

Z™-30/20N & Z™-30/20N RJ

Specifications



| MODELS | Z™-30/20N | | Z™-30/20N RJ | |
|------------------------------------|-------------|---------|--------------|---------|
| MEASUREMENTS | US | Metric | US | Metric |
| Working height maximum* | 36 ft | 11.14 m | 35 ft 2 in | 10.89 m |
| Platform height maximum | 30 ft | 9.14 m | 29 ft 2 in | 8.89 m |
| Horizontal reach maximum | 21 ft 5 in | 6.53 m | 20 ft 6 in | 6.25 m |
| Up and over clearance maximum | 12 ft 8 in | 3.86 m | 12 ft 8 in | 3.86 m |
| A Platform length | 2 ft 6 in | .76 m | 2 ft 6 in | .76 m |
| B Platform width | 4 ft | 1.22 m | 4 ft | 1.22 m |
| C Height - stowed | 6 ft 6.5 in | 2 m | 6 ft 6.5 in | 2 m |
| D Length - stowed | 16 ft 9 in | 5.11 m | 17 ft 5 in | 5.31 m |
| E Storage height | 6 ft 10 in | 2.08 m | 7 ft 4 in | 2.24 m |
| F Storage length | 11 ft 6 in | 3.5 m | 12 ft | 3.8 m |
| G Width | 3 ft 11 in | 1.19 m | 3 ft 11 in | 1.19 m |
| H Wheelbase | 5 ft 3 in | 1.60 m | 5 ft 3 in | 1.60 m |
| I Ground clearance - center | 3.5 in | .89 m | 3.5 in | .89 m |

| PRODUCTIVITY | Z™-30/20N | | Z™-30/20N RJ | |
|---------------------------|----------------------|---------------|----------------------|---------------|
| Lift capacity | 500 lbs | 227 kg | 500 lbs | 227 kg |
| Platform rotation | 180° | | 180° | |
| Vertical jib rotation | 144° | | 144° | |
| Horizontal jib rotation | — | | 200° | |
| Turntable rotation | 355° non-continuous | | 355° non-continuous | |
| Turntable tailswing | zero | | zero | |
| Drive speed - stowed | 3.0 mph | 4.8 km/h | 3.0 mph | 4.8 km/h |
| Drive speed - raised** | 0.68 mph | 1.1 km/h | 0.68 mph | 1.1 km/h |
| Gradeability - stowed*** | 35% | | 35% | |
| Turning radius - inside | 5 ft 5 in | 1.65 m | 5 ft 5 in | 1.65 m |
| Turning radius - outside | 10 ft 7 in | 3.20 m | 10 ft 7 in | 3.20 m |
| Controls | 24 V DC proportional | | 24 V DC proportional | |
| Tires - solid non-marking | 22x7x17.75 in | .56x.18x.45 m | 22x7x17.75 in | .56x.18x.45 m |

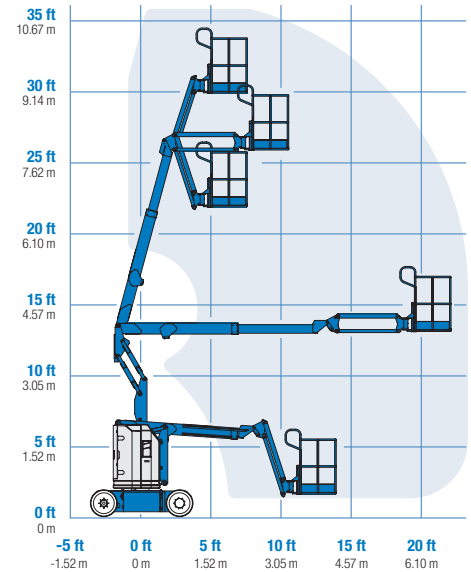
| POWER | Z™-30/20N | | Z™-30/20N RJ | |
|-------------------------|--|--------|--|--------|
| Power source | 48 V DC (eight 6 V batteries 350 Ah capacity) | | 48 V DC (eight 6 V batteries 350 Ah capacity) | |
| Auxiliary power unit | 24 V DC | | 24 V DC | |
| Hydraulic tank capacity | 4 gal | 15.1 L | 4 gal | 15.1 L |

| WEIGHT**** | Z™-30/20N | | Z™-30/20N RJ | |
|------------|------------|----------|--------------|----------|
| | 14,170 lbs | 6,427 kg | 14,220 lbs | 6,450 kg |

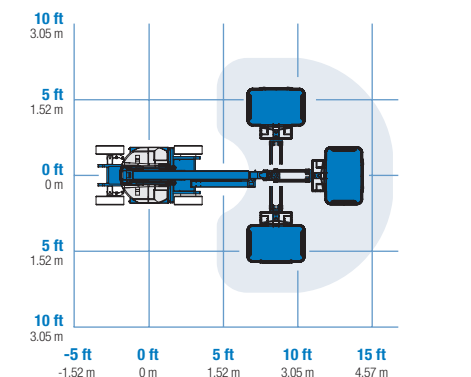
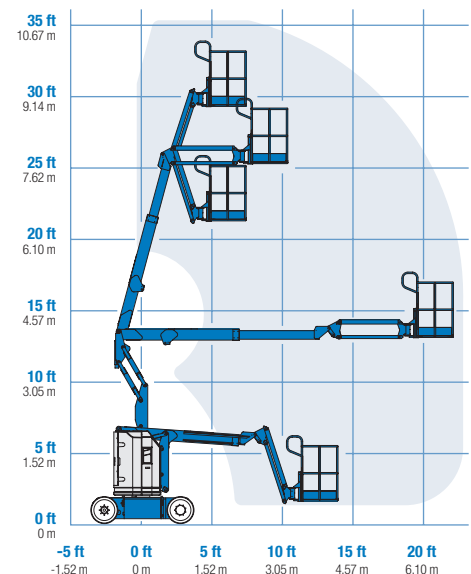
STANDARDS COMPLIANCE ANSI A92.5, CSA B354.4, CE Compliance, AS 1418.10, PB-10-611-03

* The metric equivalent of working height adds 2 m to platform height. U.S. adds 6 ft to platform height.
 ** In lift mode *(platform raised), the machine is designed to operated on firm, level surfaces only.
 *** Gradeability applies to driving on slopes. See operator's manual for details regarding slope ratings.
 **** Weight will vary depending on options and/or country standards.

RANGE OF MOTION Z™-30/20N



RANGE OF MOTION Z™-30/20N RJ



Features

EASILY CONFIGURED TO MEET YOUR NEEDS

PLATFORM

- Steel 4 ft (1.22 m) (standard)

JIB OPTIONS

- 4 ft (1.22 m) jib boom
- 4 ft (1.22 m) horizontal rotating jib boom

POWER

- 48 V DC power source

DRIVE

- 2WD

TIRE

- Solid rubber non-marking

STANDARD FEATURES

MEASUREMENTS

Z™-30N

- 36 ft (11.14 m) working height
- 21 ft 5 in (6.53 m) horizontal reach
- 12 ft 8 in (3.86 m) up and over clearance
- Up to 500 lb (227 kg) lift capacity

Z™-30N RJ

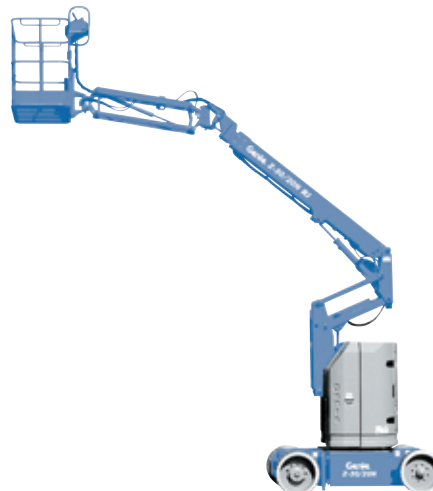
- 35 ft 2 in (10.89 m) working height
- 20 ft 6 in (6.25 m) horizontal reach
- 12 ft 8 in (3.86 m) up and over clearance
- Up to 500 lb (227 kg) lift capacity

PRODUCTIVITY

- 4 ft (1.22 m) jib boom with 144° working range
- Self-leveling platform
- Hydraulic platform rotation
- Fully proportional controls
- Drive enable
- AC power to platform
- Horn
- Hour meter
- Tilt alarm
- 355° non-continuous turntable rotation
- Zero tailswing and front arm swing
- Sep-Ex drive system

POWER

- 48 V DC deep cycle battery pack
- 24 V DC auxiliary power
- 25 Amp 48 V battery charger



OPTIONS & ACCESSORIES

PRODUCTIVITY

- Platform swing gate
- Half mesh platform inserts with swing gate
- Air line to platform
- Deluxe aircraft protection package
- Tool tray
- Fluorescent tube caddy
- Pipe cradle (pair)
- Alarm package
- Panel cradle package*
- Platform work lights
- Lockable platform control box covers

* Available on select models

POWER

- EE rating
- Battery charge indicator (BCI)
- Low voltage interrupt with BCI

Genie United States

18340 NE 76th Street
P.O. Box 97030
Redmond, Washington 98073-9730

Telephone **(425) 881-1800**
Toll Free in USA/Canada **800-536-1800**
Fax (425) 883-3475

Genie Europe

The Maltings
Wharf Road
Grantham NG31 6BH
U.K.

Telephone **+44 (0)1476 584333**
Fax +44 (0)1476 584334

Email: infoeurope@genieind.com

Distributed By:

For further information, please contact your local distributor or the Genie Industries sales office listed. Product specifications are subject to change without notice or obligation. The photographs and drawings in this brochure are for illustrative purposes only. Refer to the appropriate Operator's Manual for instructions on the proper use of this equipment. Failure to follow the appropriate Operator's Manual when using our equipment or to otherwise act irresponsibly may result in serious injury or death. Prices and specifications subject to change without notice. The only warranty applicable is the standard written warranty applicable to the particular product and sale. Genie makes no other warranty, expressed or implied. Products and services listed may be trademarks, service marks or trade-names of TEREX Corporation and/or its subsidiaries in the USA and other countries and all rights are reserved. Copyright © 2006 Genie Industries, Inc. "Genie" is a Registered Trademark of Genie Industries, Inc. in the USA and many other countries. Genie is a TEREX Company.